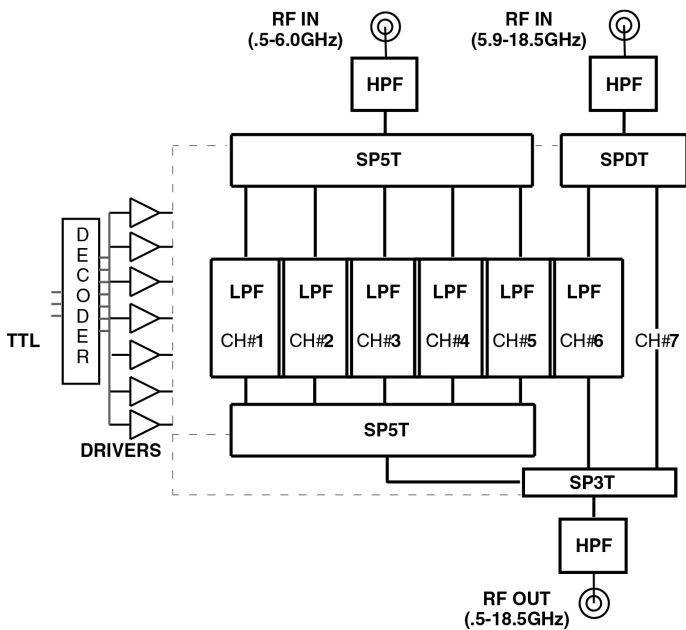


Switch/Filter Bank

7 Channels Harmonic Rejection

0.5 to 18.5 GHz (Pass Bands)



Specifications (P/N 7SF8188)

Pass Bands	0.5 - 18.5 GHz
Rejection Range	1.0- 18.5 GHz
Video Transients	20 mVpp max.
Insertion Loss	5.0 dB max.
VSWR	2.0:1 max.
Isolation	55 dB min.
RF Operating Power	+25 dBm
Switching Speed	400 nano sec. max.
Control Logic	TTL 3 lines (Decoded)
Power Supply	175mA @+5V, 75mA @-15 V
Size	3.80" x 4.50" x 0.61"
Connectors	SMA Female
Operating Temperature	-30°C to +85°C

Filter Characteristics

Pass Band (GHz)	55 dB Stop Bands (GHz)
0.50 - 0.85	1.00 - 18.5
0.75 - 1.30	1.50 - 18.5
1.20 - 2.00	2.40 - 18.5
2.00 - 3.50	4.00 - 18.5
3.40 - 6.00	6.80 - 18.5
5.90 - 10.40	11.80 - 18.5
10.30 - 18.50	

