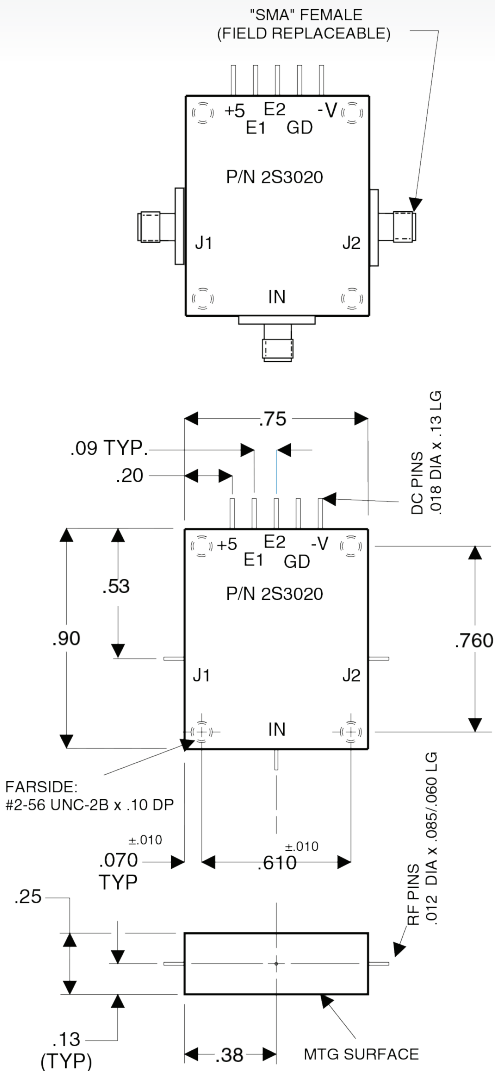


2S3020 Series SPDT Switches 2-18 GHz



Specifications

| Model Number | Frequency Range (GHz) | VSWR Max. | Insertion Loss (dB) Max. | ISO. (dB) Min. |
|--------------|-----------------------|-----------|--------------------------|----------------|
| 2S3021 | 2-8 | 1.7 | 1.5 | 60 |
| 2S3022 | 4-12 | 1.8 | 1.8 | 60 |
| 2S3023 | 6-18 | 1.9 | 2.2 | 55 |
| 2S3024 | 2-18 | 2.0 | 2.4 | 55 |

| | |
|----------------------------------------|----------------|
| Switching Speed (50% TTL to 10/90% RF) | 50 ns Max. |
| Harmonic Generation (@ +20 dBm) | 60 dBc Max. |
| TTL Control (2 Line) | "0" Select |
| RF Power (No Performance Degradation) | +27 dBm |
| Power Supply Requirements | +5V, -15V |
| Operating Temperature Range | -55° to +125°C |

Options Available

- Alternate Configurations
- Logic Decoding
- Isolations to 80 dB
- Alternate Power Supplies
- Integration of Filters
- Integration of Limiters
- Custom Screening

